

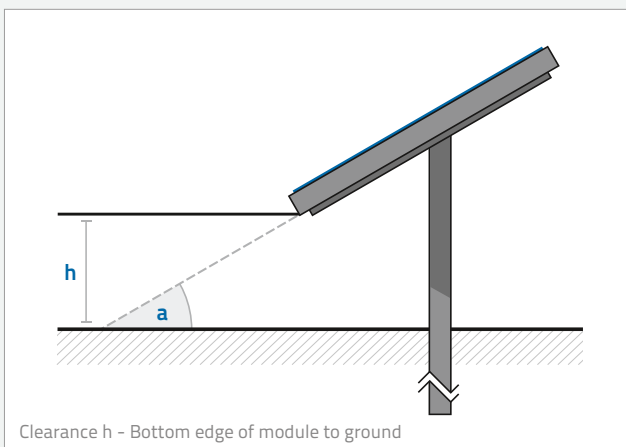
MASTER DATA

Title *	<input type="text"/>	Customer *	<input type="text"/>
Responsible	<input type="text"/>	Project status *	<input type="checkbox"/> Offer <input type="checkbox"/> Order
Project location		Realisation time	<input type="text"/>
Street Address *	<input type="text"/>	Country *	<input type="text"/>
Postal Code, City *	<input type="text"/>	Region *	<input type="text"/>

PROJECT DATA

Longitude *	<input type="text"/>	Wind zone *	<input type="text"/>	Module type	
Latitude *	<input type="text"/>	Snow load zone *	<input type="text"/>	Monocrystalline	<input type="checkbox"/>
Sea Level (m) *	<input type="text"/>	Project size (kWp) *	<input type="text"/>	Polycrystalline	<input type="checkbox"/>
				Thin film	<input type="checkbox"/>
Module data or Data sheet				Orientation	
Producer *	<input type="text"/>			<input type="checkbox"/> Portrait	<input type="checkbox"/> Landscape
Length (mm) *	<input type="text"/>	Weight (kg) *	<input type="text"/>	Number of Modules	
Width (mm) *	<input type="text"/>	Power (Wp) *	<input type="text"/>	<input type="checkbox"/> On Top to each other	
Height (mm) *	<input type="text"/>			<input type="checkbox"/> Side by Side	

DISTANCE TO GROUND



Clearance h (m) *	<input type="text"/>
Inclination a (°) *	<input type="text"/>

NOTES
